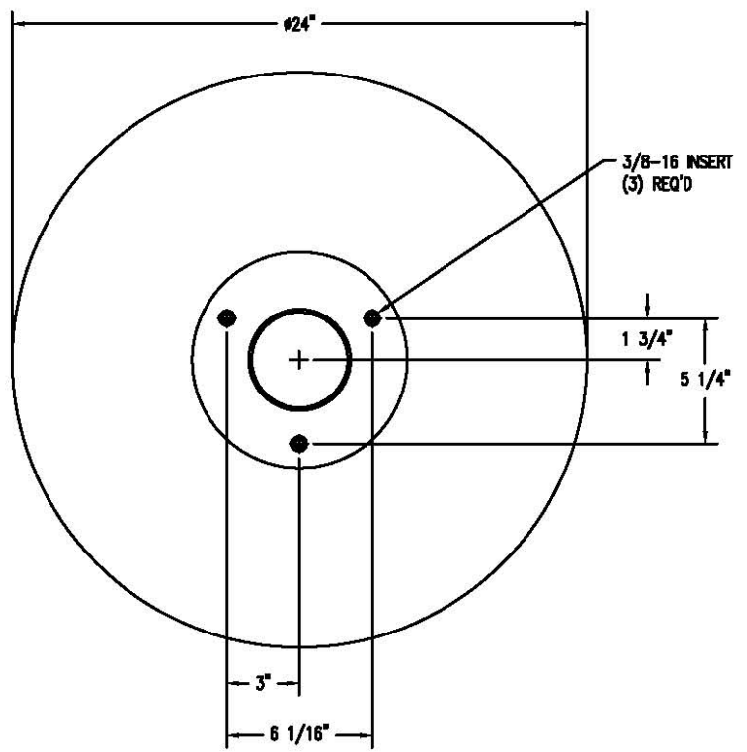
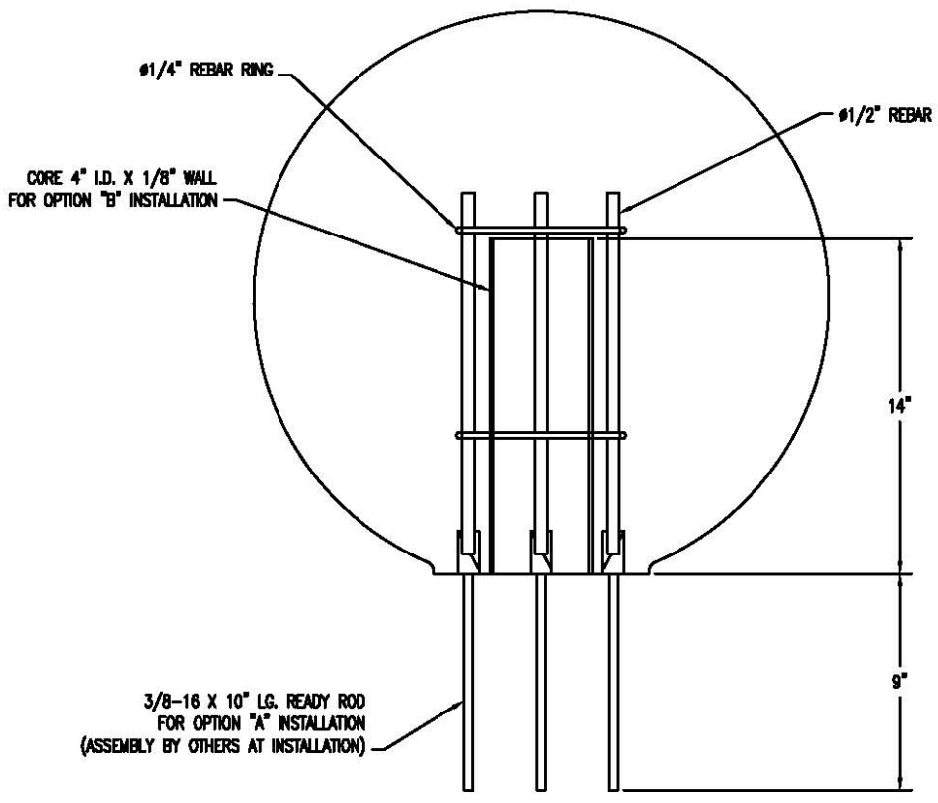


ELEVATION VIEW



BOTTOM VIEW



SECTION VIEW

REVISIONS						DESIGN BY	JOB	MATERIAL
NO.	DATE	BY	NO.	DATE	BY	MJS <td>CONCRETE </td>	CONCRETE	
1			4			TITLE #24" SPHERE BOLLARD	WEIGHT 750 LBS.	
2			5			SCALE 1/4	FINISH OPTIONS B, C	
3			6			UNLESS OTHERWISE SPECIFIED DIMENSIONS ARE IN INCHES FRACTIONS 3/16 2 PL. 30.01 3 PL. 50.005	DATE	
							DATE	DWG. NO. TF8091